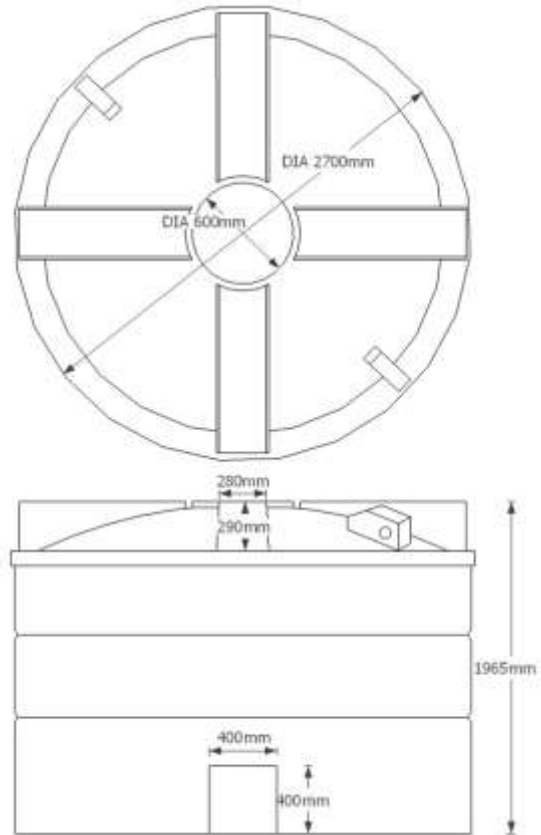


# ECO10000POT

Product description: cylindrical 10,000 litre water tank manufactured from WRAS approved polymer



Product Information				
Height	Diameter	Lid	Weight	Outlet
1965mm	2700mm	24" clamped	200kg	None fitted; 1" or 2" supplied loose

Sizes approximate, owing to shrinkage

## PRODUCT DETAILS:

- Made from WRAS approved polymer
- 24"/600mm clamp down lid for easy access
- 2" plastic threaded male outlet supplied as standard

## OPTIONAL EXTRAS:

- 16" lockable lid
- Plastic tank connector (up to 2½")
- Brass tank connector (up to 3")
- Essex flange (up to 2¼")
- Brass isolation valve
- By-law kit
- Ball cock and float valve

## BENEFITS:

- Suitable for external commercial or agricultural use
- Frost proof; will not crack in the cold
- Plastic meets the requirements of BS 6920-1:2000
- Plastic will not contaminate water
- Opaque plastic reduces algae growth in sunlight
- Rotationally moulded for strength and durability
- 10 year warranty against manufacturing defects



Scan to view our full range of water tanks



Etills Ltd  
Unit 1 Whiting Way,  
Melbourn,  
Royston,  
SG8 6NA

Tel: 01763 261781  
Fax: 01763 268409

This specification may be subject to change without notice; please call to confirm details.